

### GP2Y0AF15Q

#### Application

Distance measuring/ Robot/ Industry

#### Property

Small size/ High accuracy/Easy to install.

#### Introduction

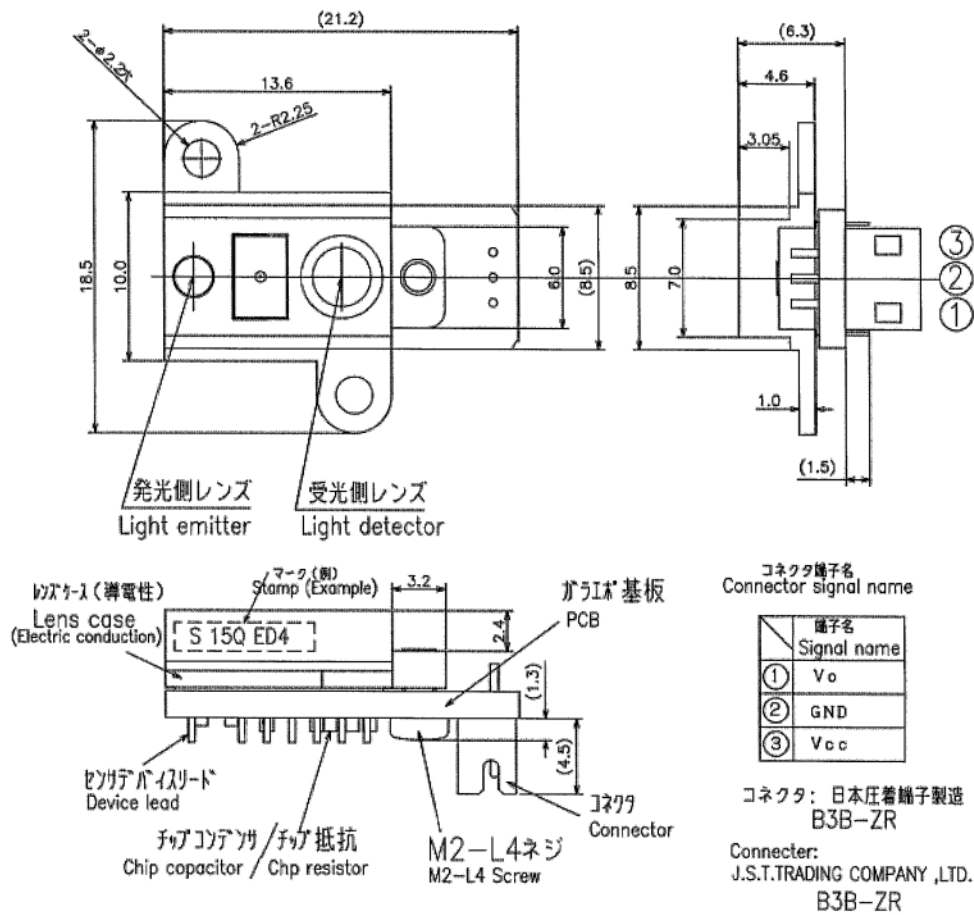
Distance measuring sensor united with PSD (PSD: Position Sensitive Detector), infrared LED and signal processing circuit, short measuring cycle (16.5 ms), compact.



### Specifications (T=25°C)

| Items                     | Symbols      |               |
|---------------------------|--------------|---------------|
| Supply Voltage            | $V_o$        | -0.3~7V       |
| Operating Voltage         | $V_o$        | 5V            |
| Active Current            | $I_{cc}$     | 17-30mA       |
| Distance Range            | L            | 15-150mm      |
| Operating Temperature     | $T_o$        | -10°C ~ +60°C |
| Storage Temperature       | $T_s$        | -40°C ~ +70°C |
| Output terminal voltage   | $V_o$        | 0.2-0.6V      |
| Output voltage difference | $\Delta V_o$ | 2.3-2.9V      |

### Outline Dimensions



GP2Y0AF15Q Example of output distance characteristics

